



## Insert lock with 30 mm backset for profiles of 50 mm or more

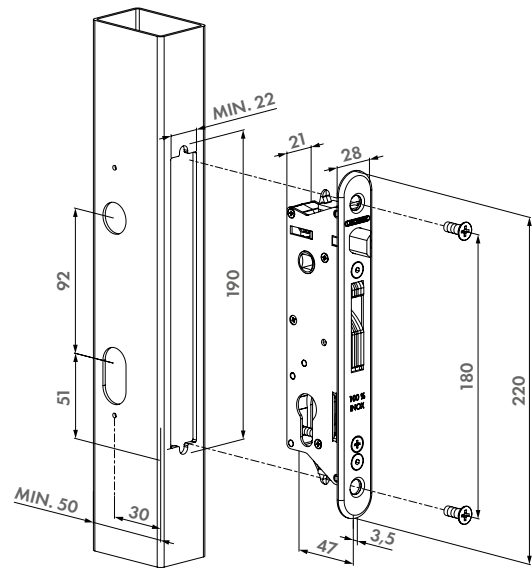
FIFTYLOCK (Patented)

Prime insert lock with 100% stainless steel mechanism. The stainless steel adjustable self-latching bolt and hook combined with the correct keep guarantee a strong and solid closed gate where the gate wings can not be pulled apart or forced open. The lock can be installed on metal, aluminium and PVC gates. Thanks to the patented "Click-It" system the lock is mounted in seconds.



### Specifications

- ✔ Stainless steel lock mechanism with cover plate against dirt penetration
- ✔ Mechanism, hook, frontplate, latchbolt: stainless steel
- ✔ Backset 30 mm, for mounting in profiles of 50 mm depth or more
- ✔ Continuous adjustment of the daybolt up to 10 mm without dismantling the lock box
- ✔ Key-operated self-latching bolt
- ✔ Easy left or right changing of the self-latching daybolt
- ✔ Throw of the hook: 21 mm
- ✔ Center-distance cylinder <=> handles = 92 mm
- ✔ Compatible with all Europrofile cylinders
- ✔ Handles to be ordered separately
- ✔ Optional: cover shield for handle & cylinder holes in aluminium, polyamide or stainless steel



### Recommended keeps



SFKB  
P. 106



MODULEC-SF-  
P. 109



SFKM  
P. 108

### Order code

Insert lock

**FIFTYLOCK** Insert lock with 30 mm backset for profiles of 50 mm or more



### Optional cover shields



3020-HYB-A2  
P. 90



3020-HYB-STD  
P. 90



3020-HYB-ALU-9005  
P. 90



3020-HYB-ALU-ZILV  
P. 90

### Recommended handles



3006M-H  
P. 181



3006J-H  
P. 181



3006B-H  
P. 181



3006FIX-  
P. 171