



Insert lock with 20 mm backset for profiles of 40 mm or more

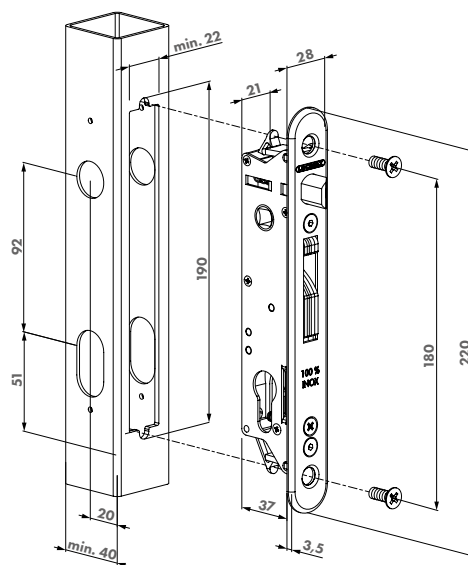
FORTYLOCK (Patented)

Insert lock with 100% stainless steel mechanism. The stainless steel adjustable self-latching bolt and hook combined with the right keep guarantee a strong and solid closed gate where the gate wings can not be pulled apart or forced open. The lock can be installed on metal, aluminium and PVC gates. Thanks to the patented "Click-It" system, installing the lock can be done in a matter of seconds.



Specifications

- ✓ Lock mechanism with cover plate against dirt penetration
- ✓ Patented "Click-It" system makes thread tapping unnecessary
- ✓ Continuous adjustment of the daybolt up to 10 mm without dismantling the lock box
- ✓ Key-operated self-latching bolt
- ✓ Mechanism, hook, frontplate, latchbolt: stainless steel
- ✓ Easy left or right changing of the self-latching daybolt
- ✓ Throw of the hook: 21 mm
- ✓ Center-distance cylinder \leftrightarrow handles = 92 mm
- ✓ Optional: cover shield for handle & cylinder holes in aluminium, polyamide or stainless steel
- ✓ Handles to be ordered separately
- ✓ Compatible with all Europrofile cylinders



Recommended keeps



MODULEC-SF-
P. 109



SFKO
P. 107



SFKU
P. 108

Order code

Insert lock

FORTYLOCK For profiles of 40 mm



Optional cover shields



3020-HYB-A2
P. 90



3020-HYB-ALU-ZILV
P. 90



3020-HYB-ALU-9005
P. 90



3020-HYB-STD
P. 90

Recommended handles



3006M-H
P. 181



3006J-H
P. 181



3006B-H
P. 181



3006FIX-
P. 171