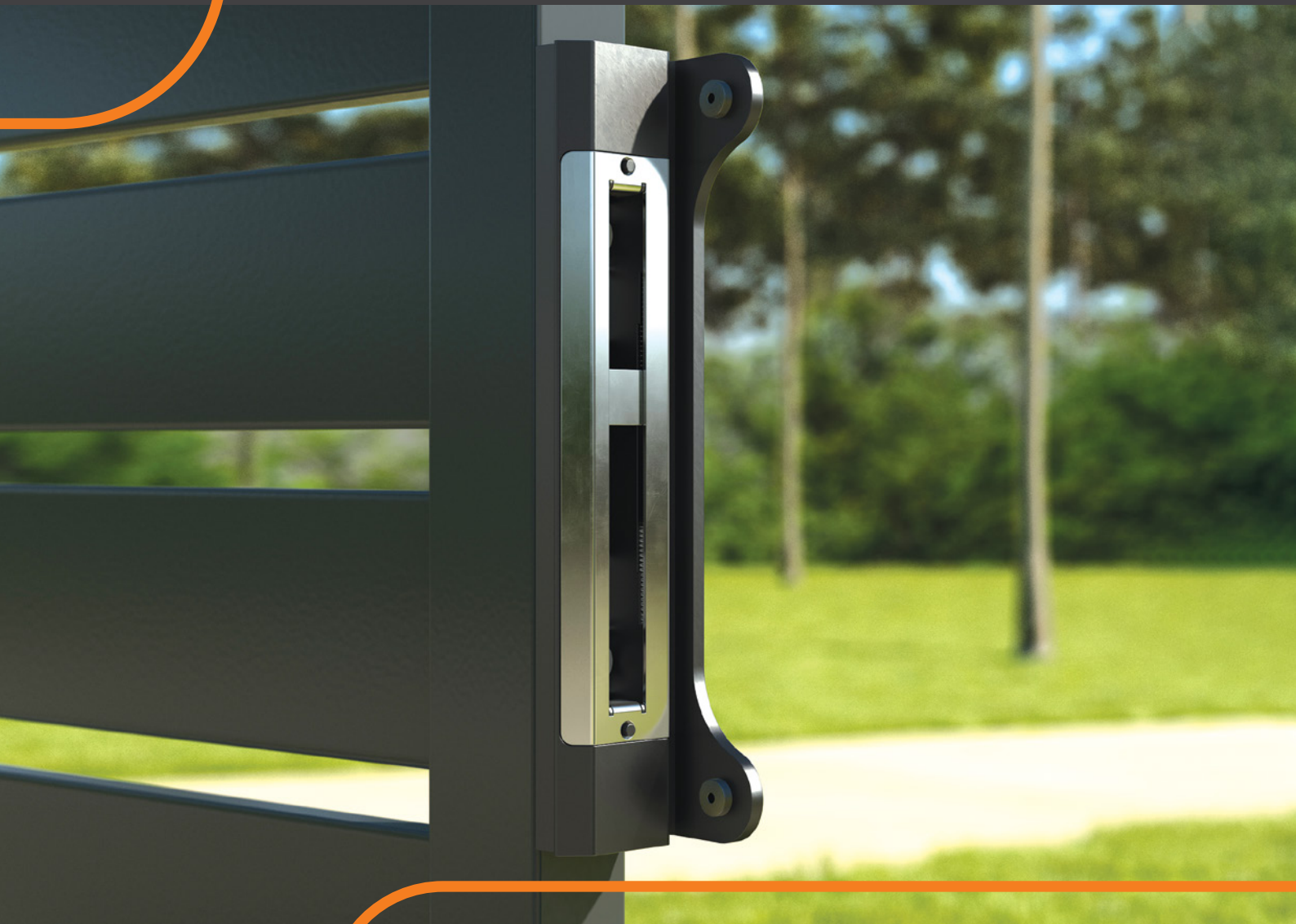


LOCINOX[®]

Let's make it better together

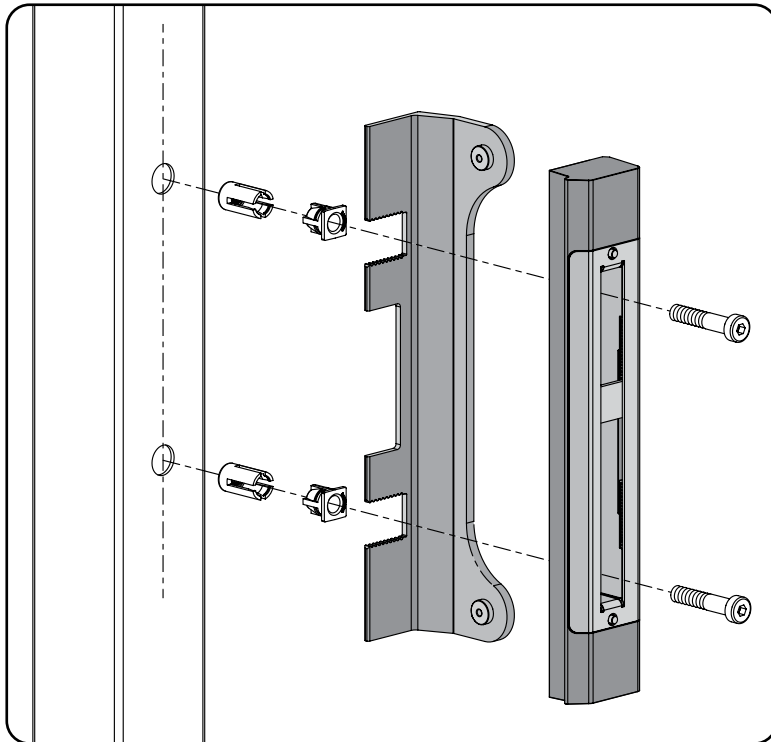
THE NEW
KEEP
SFKO



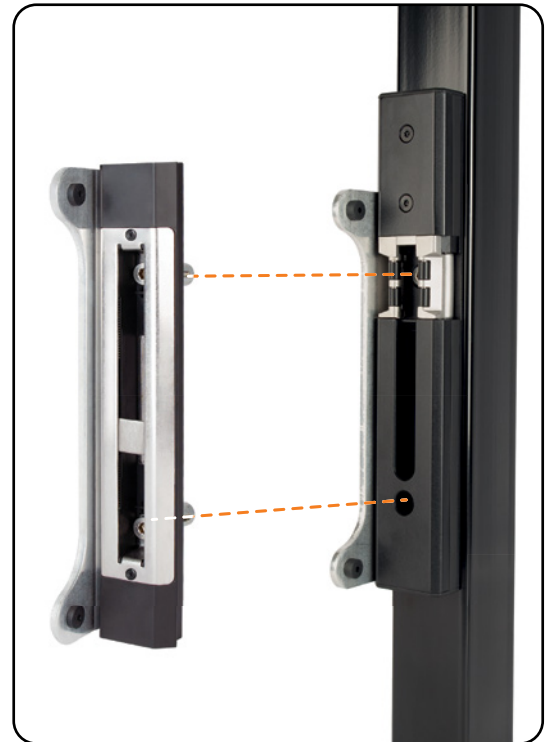
STAINLESS STEEL SURFACE MOUNTED
KEEP FOR INSERT LOCKS

EASY AND FAST INSTALLATION

EASY AND FAST WITH **THE QUICK-FIX**



MODULARITY WITH **THE MODULEC-SF**



DESIGNED FOR THESE LOCINOX LOCKS



SPECIFICATIONS

- ✓ Modular with electric strike MODULEC-SF
- ✓ Keep for square profiles
- ✓ Innovative installation with Quick-Fix
- ✓ Extruded stop plate in aluminium with rubber strip for longterm use
- ✓ Compatible with Fortylock, Fiftylock and Sixtylock insert locks
- ✓ Vandal proof design: hook-in anchoring system prevents opening with a crowbar
- ✓ Easy left or right changing
- ✓ Adjustable for gate profiles: 40 - 60 mm

AVAILABLE IN

9005 **ALUM**
 

LOCINOX



www.locinox.com



HQ: +32 56 77 27 66
CEE: +48 71 758 21 00



help@locinox.com



www.locinox.com/SFKO

LOCINOX USA



www.locinoxusa.com



877- LOCINOX



helpusa@locinox.com



www.locinoxusa.com/SFKO