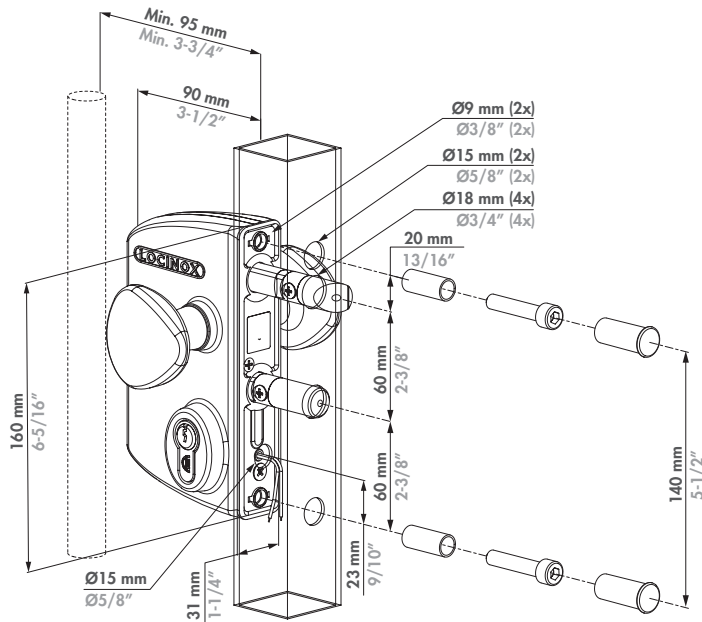


# LOCINOX<sup>®</sup>

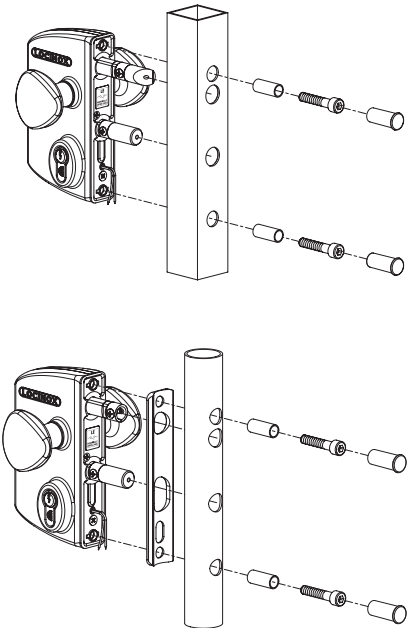
Let's make better fences together

## LEKQ U2/LIKQ U2

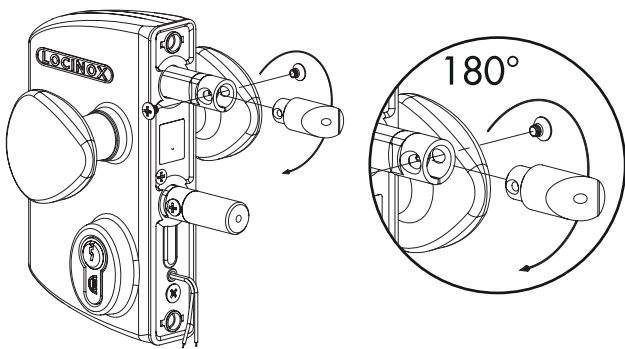
### ① Exploded view & Dimensions



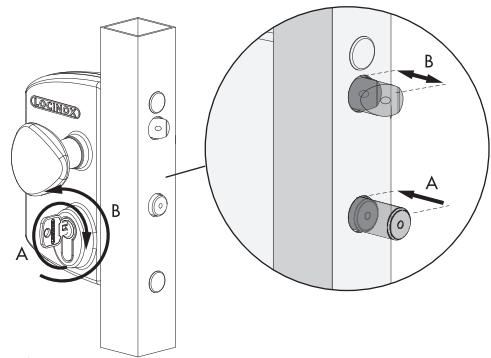
### ② Profile types



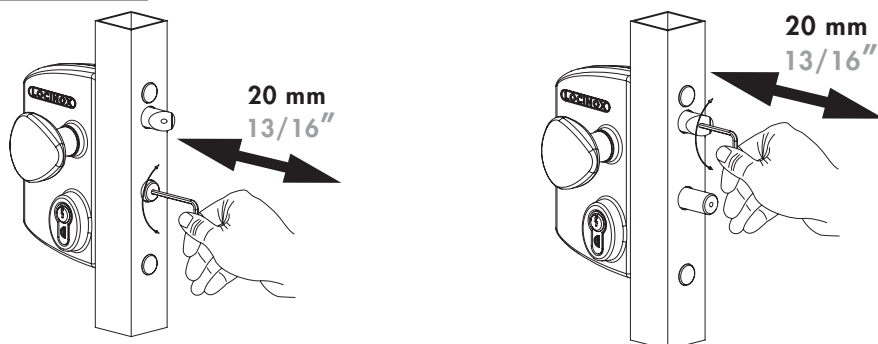
### ③ Left/Right Changing



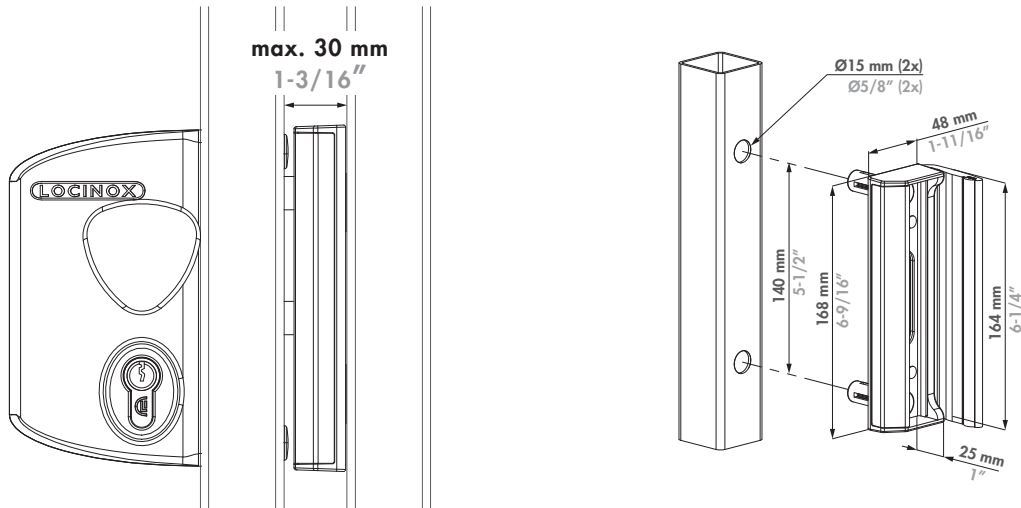
### ④ Key Operated (B) & Throw (A)



### ⑤ Throw Adjustment



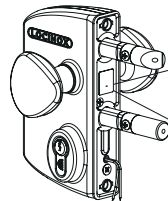
⑥ SAKL QF - Industrial Keep



⑦ Remarks



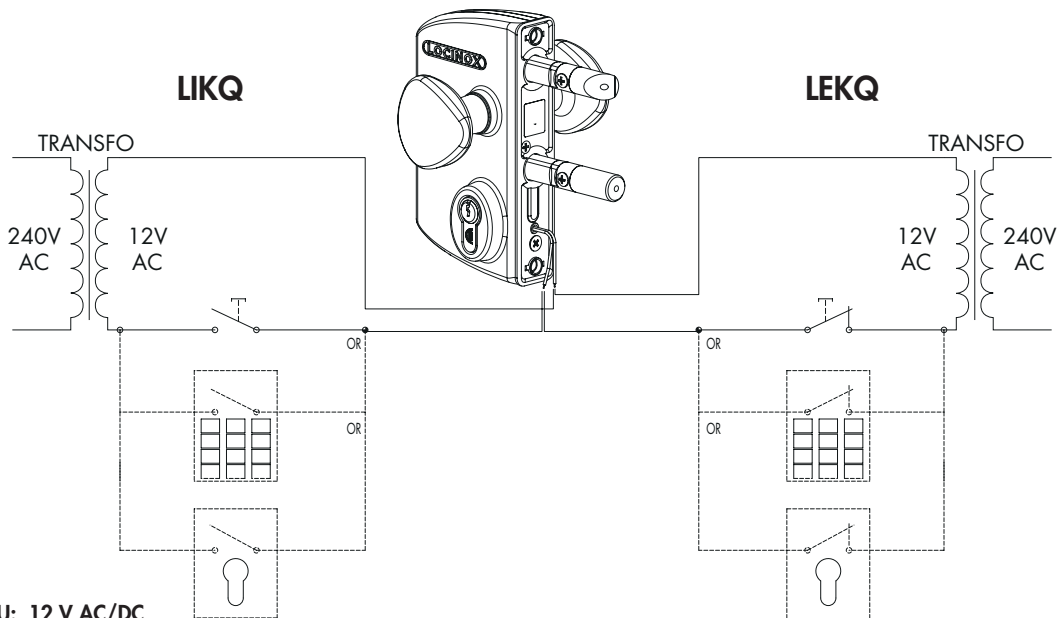
Please check the  
Failsafe sticker to  
check the lock type.



**LEKQ - Fail open**  
Lock opens when power  
is cut off

**LIKQ - Fail close**  
Lock closes when power  
is cut off

⑧ Connecting - Raccordement - Aansluiting - Anschließen



U: 12 V AC/DC  
I: 0,3 A  
P: 3,6 W

**LOCINOX**  
Let's make it better together

Doc. Nr.: MANU-000235



Locinox nv • Mannebeekstraat 21 • B-8790 Waregem • Belgium  
Tel. +32 (0)56 77 27 66 • Fax. +32 (0)56 77 69 26 • E-mail: locinox@locinox.com